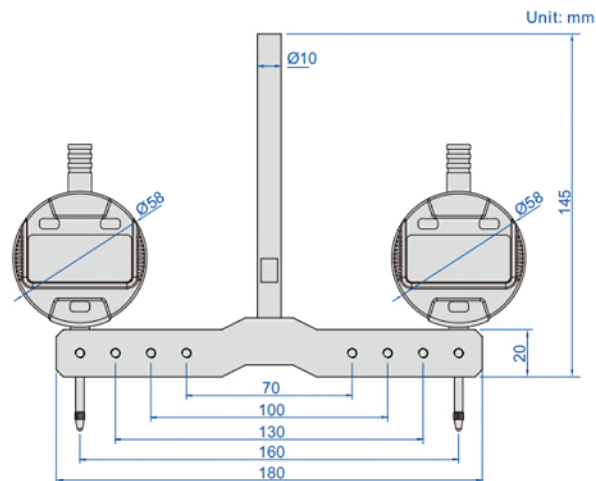


## VERTICAL MILLING MACHINE PERPENDICULARITY MEASURING GAUGE



- Used to detect and adjust the perpendicularity between the spindle and worktable of a vertical milling machine

Code	Indicator	Accuracy
2258-101	digital indicator, code <b>2112-101F</b> , range: 12.7mm/0.5", resolution: 0.001mm/0.00005"	3µm